



© Vermeer Architecten

B-fix
AluDeck



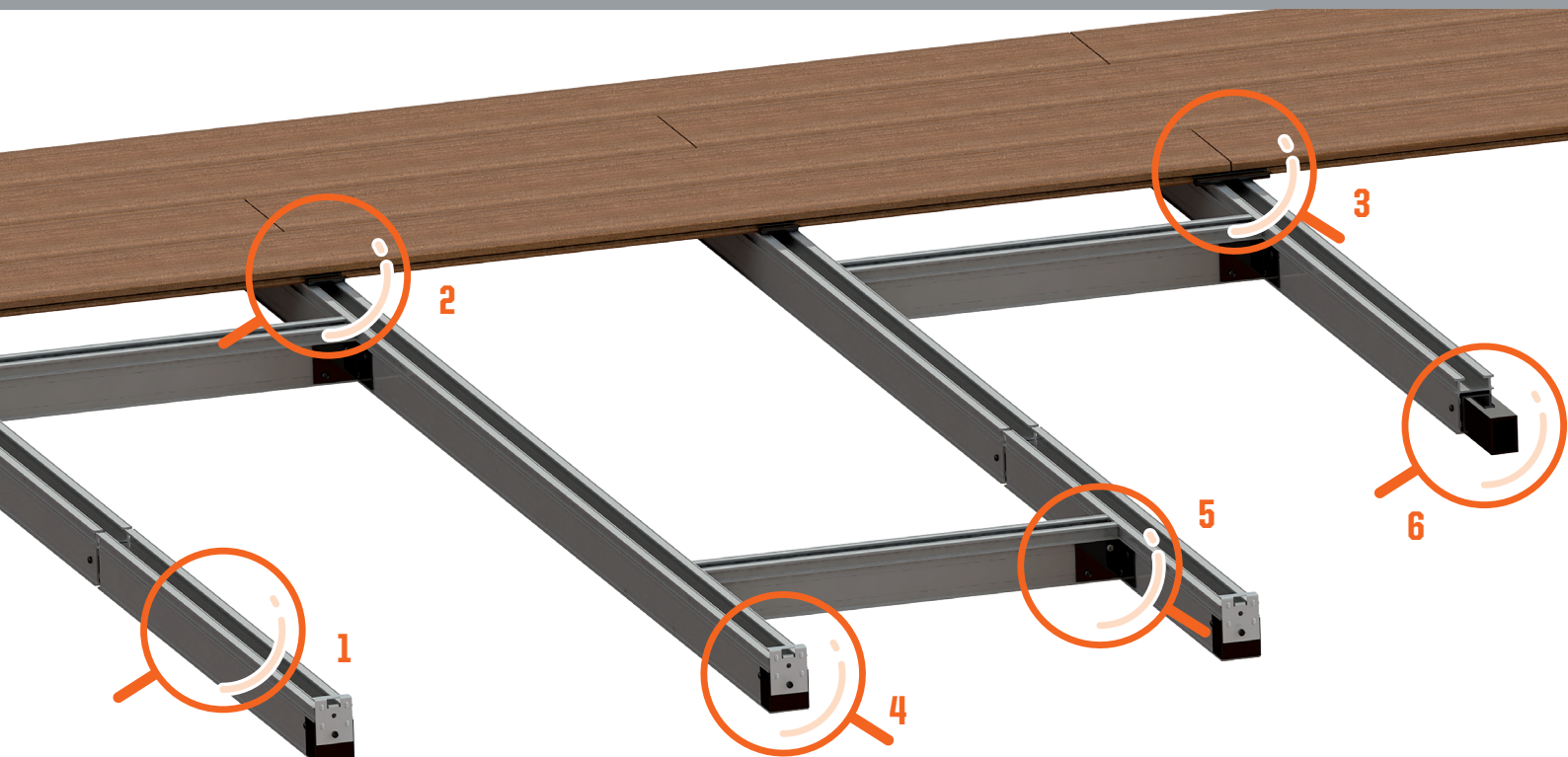
The B-Fix AluDeck range is **an innovative concept of aluminum structure for decking and cladding.**

It incorporates the latest evolution of B-Fix fasteners, specially designed for the B-Fix Rail AluDeck.

After a 45° rotation inside the rail, the fasteners lock in place to ensure an optimal hold.

This new generation will seduce the most demanding installers as much by its modularity and durability as by its ease and speed of installation.

AluDeck



Zoom

1. B-Fix Rail AluDeck



132x



2. B-Fix Black One AluDeck



Black

100x

1x



← 100 mm →
+/- 4,5 m²

← 140 mm →
+/- 6 m²

3. B-Fix Connect Black AluDeck



Connect

50x

1x



4. B-Fix Border AluDeck

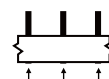


Border

25x

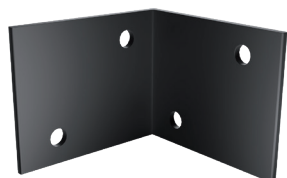
25x

75x



+/- 2,5 borders / m

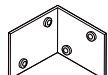
5. B-Fix Bracket AluDeck



Bracket

25x

100x



6. B-Fix Link AluDeck



Link

10x

20x



AluDeck

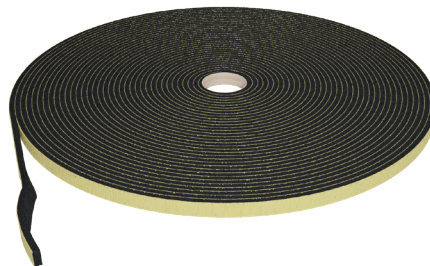
B-fix
Rail



Made of black anodized aluminum, the B-Fix Rail AluDeck represents the culmination of the high-end decking and cladding structure. **Modularity, weight, durability and aesthetics make it a unique experience.**

Thanks to its various installation accessories, its installation is extremely easy and fast. It guarantees a result that meets the most demanding projects.

Available as an option, the B-Fix EPDM strip isolates the deck from the structure, **reducing impact noise and resonance.** With its self-adhesive side, it can be **installed quickly** and guarantees a smooth step on your deck.



Spacing between supports* :

	Residential use	Commercial use
Multiple supports	1 m	50 cm
2 supports	75 cm	37.5 cm

* To be adapted according to local installation rules and standards.

Characteristics

-  **integrated concept, high-end structure/ fastening system**
-  **100% aluminum rail and accessories for durability, stability and planarity**
-  **modular structure, easy to assemble**
-  **reduced range of accessories for a «ready to fix» installation**
-  **black anodization for a discreet structure**
-  **guaranteed perfectly straight profiles**
-  **significant weight reduction thanks to the use of aluminum**
-  **high level of finish, invisible**
-  **maximum ventilation of the floor and structure**
-  **extended life span of the wood**
-  **usable with 3 different profiles**
-  **installation on decks and siding**
-  **100% recyclable and infinitely reusable**
-  **specialist approved**
-  **patented system**
-  **made in Belgium**

Materials

B-Fix Rail : Aluminum EN AW 6060
+ black coating



AluDeck

B-fix Black-One



Mounted on a composite nut block, the B-Fix Black One AluDeck is designed for the B-Fix Rail AluDeck. By sliding and pivoting within the aluminum rail, it will naturally find its place in the profile and will invisibly fix the decking and cladding boards. Its ease and speed of installation and its optimal fixing make it the ideal partner for your projects.

Characteristics

-  **self-locking nut system**
-  **innovative stainless steel screws with increased resistance due to surface coating**
-  **high finish level, invisible**
-  **ultra-simplified and fast assembly: 50% time saving**
-  **respects wood movement: «spring effect»**
-  **local disassembly possible**
-  **usable with 3 different profiles**
-  **installation on decks and siding**
-  **specialist approved**
-  **patented system**
-  **made in Belgium**

Profiles



Classic



Plus



Premium

Materials

B-Fix Black One : Stainless steel 301
+ black coating

Nut block : Polyamide (PA6)

+ 50% fiberglass - A4 stainless steel A4

B-Vis : Stainless steel A2 + black coating



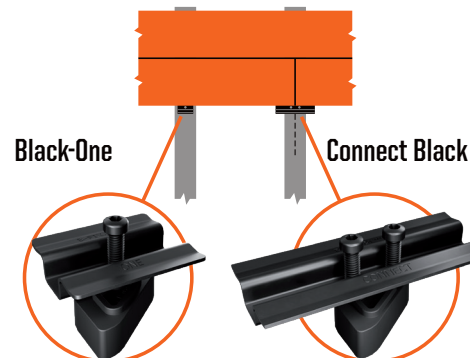
Recommended material



Saw blade for aluminum

Screwdriver with torque limitation to 80 Nm maximum (no impact screwdriver).

Butting



AluDeck

B-fix Connect Black



Mounted on the same nut block, the B-Fix Connect Black AluDeck ensures optimal fixation of the board ends. This guarantees a perfect connection and future-proof alignment of the boards.

B-fix Border



The B-Fix Border AluDeck is attached to a U-shaped piece designed to support it. It secures the first and last boards.

It avoids having to screw the boards at the ends from above and guarantees invisible fastening to your entire deck or cladding.

Materials

B-Fix U : Aluminum EN AW 6060
+ black coating

B-Fix Border : Stainless steel 301

B-Vis Alu Black :Stainless steel A2 + black coating



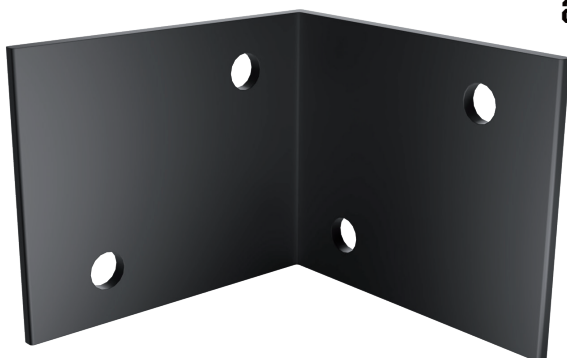
Characteristics

-  B-Fix Border is mounted on a **suitable U-shaped support**
-  **invisible** attachment of first and last boards
-  innovative stainless steel screws with **increased resistance** due to surface coating
-  **high finish level, invisible** on all boards
-  **ultra-simplified and fast assembly: 50% time saving**
-  **respects wood movement: «spring effect»**
-  **local disassembly possible**
-  **usable with 3 different profiles**
-  **installation on decks and siding**
-  **specialist approved**
-  **patented system**
-  **made in Belgium**

AluDeck

B-fix Bracket

The B-Fix Bracket AluDeck allows you to create a **quality chain system** and thus increase the **rigidity of the structure**. Easily installed in a dedicated track, it guarantees a long-lasting structure.



Characteristics



guarantee of a **rigid structure**



self-drilling screw



quick installation of the chain system



100% recyclable and infinitely reusable



specialist approved



patented system



made in Belgium

Materials

B-Fix Bracket : Aluminum EN AW 6060

+ black coating



B-fix Link



Characteristics



adaptable to any structure length



freedom of expansion



self-drilling screw



100% recyclable and infinitely reusable



specialist approved



patented system



made in Belgium

Materials

B-Fix Link : Aluminum EN AW 6060

+ black coating

B-Vis Alu Black : Stainless steel A2 + black coating



Also made of aluminum, the B-Fix Link AluDeck allows to install different B-Fix Rail AluDeck end to end. **This sleeve ensures the connection between 2 structural elements** while allowing their expansion.

AluDeck

INSTRUCTIONS

